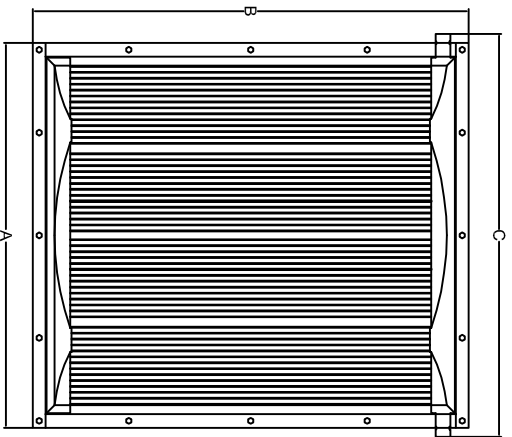
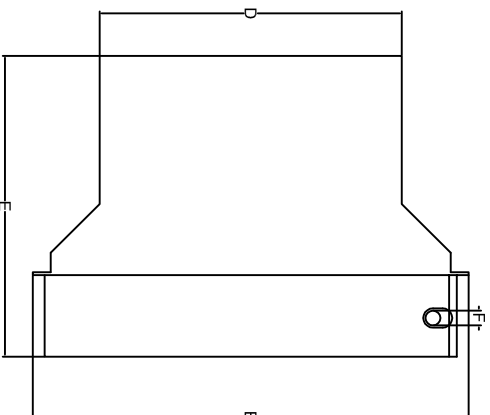


Nu-Era Heaters Spec Sheet

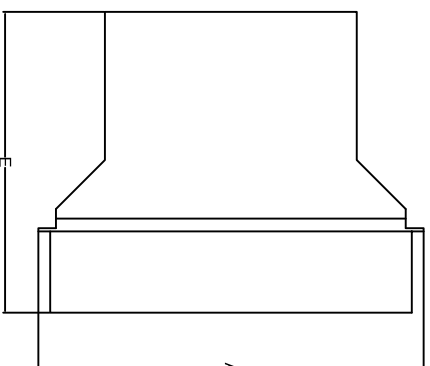
front view



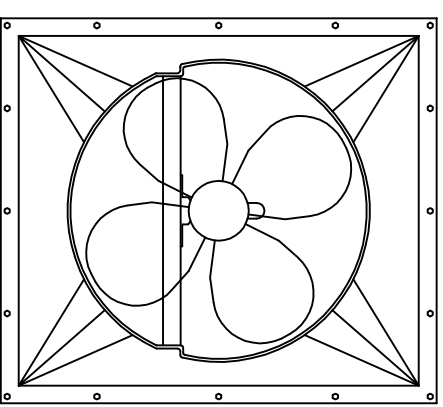
side view



top view



rear view



		Pressure Drop												
	A	B	C	D	E	F	Motor	PSI	Foot Water	GPM	BTU	CFM	Cap. Gallons	Ship Weight
NE16	18.5	23.125	20.25	14.5	27	1 1/4" sch 40	115-230v 1075 rpm 1/2hp 48z Frame	0.95	2.19	7	60,000 with 200 deg water, 60 ambient air 51,420 with 180 deg water, 60 ambient air 42,840 with 160 deg water, 60 ambient air 34,260 with 140 deg water, 60 ambient air	1450 @ 0.06 static	2.20	86 pounds
NE24	26	31	28	18.375	27.75	1 1/4" sch 40	115-230v 1075 rpm 1/2hp 48z Frame	1.25	2.95	11	100,000 with 200 deg water, 60 ambient air 85,700 with 180 deg water, 60 ambient air 71,400 with 160 deg water, 60 ambient air 57,100 with 140 deg water, 60 ambient air	1940 @ 0.085 static	3.60	123 pounds
NE30	32.5	37.25	34.625	25.5	28	1 1/4" sch 40	115-230v 1075 rpm 1/2hp 48z Frame	1.98	4.56	17	170,000 with 200 deg water, 60 ambient air 145,690 with 180 deg water, 60 ambient air 121,380 with 160 deg water, 60 ambient air 97,070 with 140 deg water, 60 ambient air	3700 @ 0.13 static	4.90	166 pounds